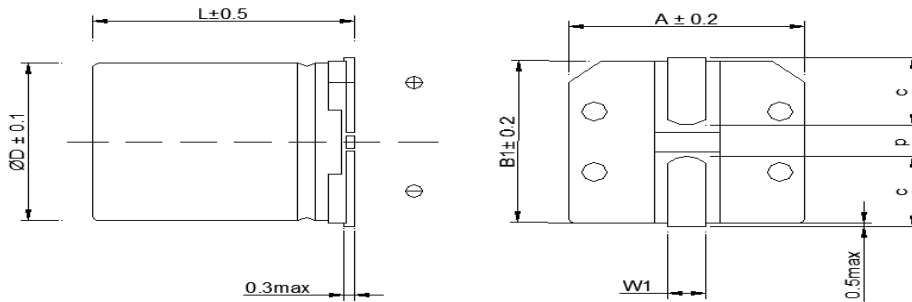




**◆产品结构**
**Product Structure**


$\varphi D \pm 0.5$	L	$A \pm 0.2$	$B_1$	$C \pm 0.2$	$W_1$	$P \pm 0.2$
4	$5.5 \pm 0.2$	4.3	4.3	1.8	0.5~0.8	1.0
5	$5.5 \pm 0.2$	5.3	5.3	2.1	0.5~0.8	1.4
6.3	$5.5 \pm 0.2$	6.6	6.6	2.5	0.5~0.8	2.0
6.3	$7.7 \pm 0.3$	6.6	6.6	2.5	0.5~0.8	2.0
8	$10.5 \pm 0.5$	8.5	8.5	2.9	0.8~1.1	3.1
10	$10.5 \pm 0.5$	10.3	10.3	3.2	0.8~1.1	4.5

**◆主要特性表**
**Main specifications**

项目 Item	主要特性 Performance Characteristics	
额定工作电压范围 Rated Voltage Range	4~100V.DC	
使用温度范围 Operating Temperature Range	-40°C~+105°C	
标称静电容量范围 Nominal Capacitance Range	0.1~220 $\mu$ F	
静电容量允许偏差 Capacitance Tolerance	$\pm 20\%$ (M, +25°C, 120Hz)	
漏电流 Leakage Current (25°C)	额定工作电压(V) Rated working voltage	4~100
	漏电流 Leakage current	2分钟后 $I \leq 0.01CV$ 或 $3(\mu A)$ , 取最大值 After 2 min. $I \leq 0.01CV$ or $3(\mu A)$ , Whichever is greater.
C: 标称静电容量 ( $\mu$ F) Nominal Capacitance in $\mu$ F V: 额定工作电压 (V) Rated working voltage in V		
损耗角正切 DF Dissipation Factor	额定工作电压(V) Rated working voltage	4    6.3    10    16    25    35    50    63    100
	DF(MAX) (25°C, 120Hz)	0.26    0.26    0.22    0.18    0.16    0.14    0.12    0.12    0.12

浪涌电压 Surge Voltage	额定工作电压(V) Rated working voltage	4	6.3	10	16	25	35	50	100
	浪涌电压(V) Surge voltage	6.3	8	13	20	32	44	63	125
温度特性 Temperature Stability	额定工作电压(V) Rated working voltage		4~6.3	10	16	25	35~100		
	阻抗比(120Hz) Impedance Ratio	z-25°C/z+25°C	4	4	2	2	2		
		z-40°C/z+25°C	8	8	4	4	3		
高温负荷特性 Load life	<p>在+105°C 环境中施加额定工作电压和最大允许纹波电流 1000 小时后,电容器的性能符合下面要求:</p> <p>After application of rated working voltage with max permissible ripple current specified at +105°C for 1000 hours, capacitors meet the characteristics requirements measured at +20°C listed at below:</p> <p>1、电容量变化率:±30%初始测量值以内 Capacitance change : ±30% initial measured value</p> <p>2、漏电流: ≤初始规定值 Leakage current: ≤initial specified value</p> <p>3、损耗角正切值≤300%倍初始规定值 Dissipation factor: ≤300% initial specified value</p>								
高温贮存特性 Shelf life	<p>在+105°C环境无负荷放置 1000 小时后, 根据 JIS-C-5101-4, 加额定电压 30min.,常温放置 24~48 小时后测试, 电容器的性能符合下面要求:</p> <p>After leaving capacitors under no load at +105°Cfor 1000 hours, According to JIS-C-5101-4, apply the rated DC voltage for 30 minutes and store the capacitors under room temperature for 24-48 hours. The capacitors meet the characteristics listed as below:</p> <p>1、电容量变化率:±30%初始测量值以内 Capacitance change : ±30% initial measured value</p> <p>2、漏电流: ≤初始规定值 Leakage current:≤initial specified value</p> <p>3、损耗角正切值≤300%倍初始规定值 Dissipation factor: ≤200% initial specified value</p>								

**◆尺寸表、允许纹波、电流纹波电流频率因子**

Dimensions and ripple current and frequency coefficient

纹波电流频率因子

Ripple current frequency coefficient

Cap (μF) \ Freq (Hz)	50 (60)	100 (120)	500	1K	≥10K
0.1~1	0.50	1.00	1.20	1.30	1.50
2.2~4.7	0.65	1.00	1.20	1.30	1.50
10~47	0.80	1.00	1.20	1.30	1.50
100~1000	0.80	1.00	1.10	1.15	1.20

**尺寸表与允许纹波电流**
**Dimensions and ripple current**

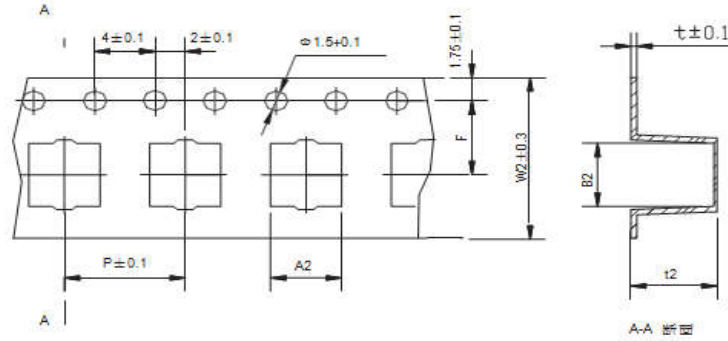
WV/V Cap/ $\mu$ F	4		6.3		10		16		25		35	
	$\Phi$ D×L	mA	$\Phi$ D×L	mA	$\Phi$ D×L	mA	$\Phi$ D×L	mA	$\Phi$ D×L	mA	$\Phi$ D×L	mA
2.2											4×5.5	7.5
3.3											4×5.5	9
4.7									4×5.5	16	4×5.5	18
10							4×5.5	25	4×5.5 5×5.5	25 27	5×5.5	30
22			4×5.5	29	5×5.5	27	4×5.5 5×5.5	30 39	5×5.5 6.3×5.5	36 37	6.3×5.5	48
33	4×5.5	18	4×5.5 5×5.5	31 27	4×5.5 5×5.5	23 43	6.3×5.5 5×5.5	37 43	6.3×5.5	54	6.3×5.5	58
47	5×5.5	34	5×5.5	46	6.3×5.5	56	5×5.5 6.3×5.5	37 56	6.3×5.5	56	6.3×5.5 6.3×7.7	50 61
100	5×5.5	58	5×5.5 6.3×5.5	58 71	6.3×5.5	71	6.3×5.5	86	6.3×5.5 6.3×7.7	91	6.3×7.7	91
150	5×5.5	61	6.3×5.5	71	5×5.5 6.3×5.5	56 71	6.3×5.5	86	6.3×7.7	91	6.3×7.7 8×10.5	77 252
220	6.3×5.5	61	6.3×5.5	55	6.3×5.5	62	6.3×7.7	95	8×10.5	140	8×10.5	155
330	6.3×5.5	96	6.3×5.5	105	6.3×5.5 6.3×7.7	96 130	6.3×7.7	135	8×10.5	270	8×10.5 10×10.5	270 370
470	6.3×7.7	130	6.3×7.7	150	8×10.5	290	8×10.5	290	10×10.5	400	10×10.5	400
680	8×10.5	290	6.3×7.7 8×10.5	280 290	8×10.5 10×10.5	300 400	10×10.5	400	10×10.5	400	10×10.5	400
1000	8×10.5	210	8×10.5	290	10×10.5	410	10×10.5	410				

WV/V Cap/ $\mu$ F	50V		63V		100V	
	$\Phi$ D×L	mA	$\Phi$ D×L	mA	$\Phi$ D×L	mA
0.1	4×5.5	1.0	4×5.5	1.0		
0.22	4×5.5	2.0	4×5.5	2.0		
0.33	4×5.5	2.5	4×5.5	2.5		
0.47	4×5.5	4.0	4×5.5	4.0		
1	4×5.5	8.4	4×5.5	8.4		
2.2	4×5.5	14	4×5.5	14		
3.3	4×5.5	17	4×5.5	22		
4.7	4×5.5	18	5×5.5	25	5×5.5	20
10	5×5.5 6.3×5.5	30 35	5×5.5 6.3×5.5	30 35	6.3×5.5	340
22	6.3×5.5	48	8×10.5	70	8×10.5	87
33	6.3×7.7	60	8×10.5	139		
47	6.3×7.7	75	10×10.5	200		
68	8×10.5	190	10×10.5	226		
100	8×10.5	190	10×10.5	226		
200	10×10.5	300	10×10.5	332		

**◆包装**

Packaging

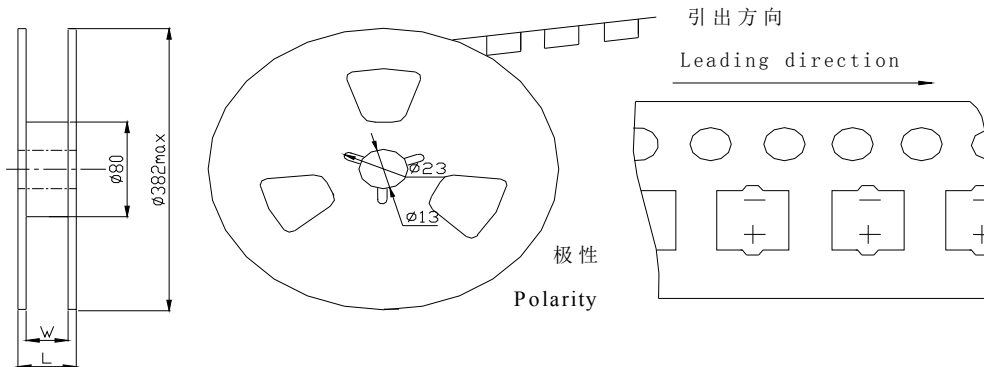
载带尺寸 Taping dimensions



尺寸 Size	W2	A2	B2	P	T2	F	t1
4x5.5	12.0	4.7	4.7	8	5.7	5.5	0.4
5x5.5	12.0	5.7	5.7	12	5.7	5.5	0.4
6.3x5.5	16.0	7.0	7.0	12	5.7	7.5	0.4
6.3x7.7	16.0	7.0	7.0	12	8.3	7.5	0.4
8x10	24.0	8.7	8.7	16	11	11.5	1.0
10x10	24.0	10.7	8.7	16	11	11.5	1.0

贴片品编带包装及数量

Taping reel and packing quantity



尺寸 Size	L	W <sub>3</sub>	数量 Quantity/reel
Φ4×5.5	19	14	2000pcs
Φ5×5.5	19	14	1000pcs
Φ6.3×5.5	23	18	1000pcs
Φ6.3×7.7	23	18	1000pcs
Φ8×10.5	30	26	500pcs
Φ10×10.5	28	26	500pcs